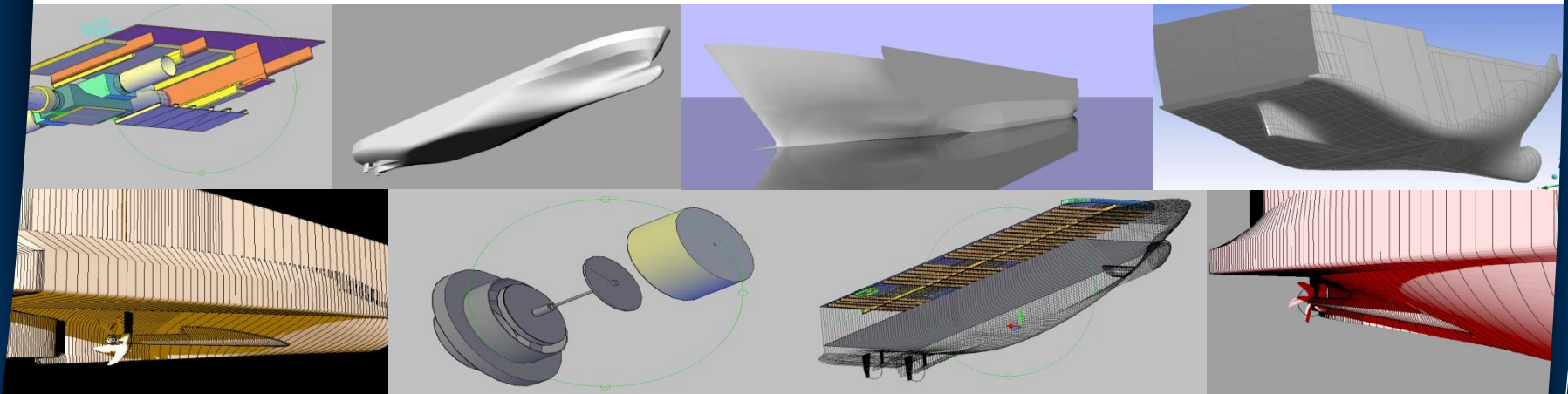




SHORT COMPANY PROFILE



London, 2011

by
Vassilios K. Zagkas

Introduction

Who we are:

Naval Architecture Progress (NAP) is an independent company providing highly qualified design, engineering and consulting services for companies involved in the shipping and ship building business.

Since its inception in 1979, NAP has remained on the front line of the maritime community by developing services that exert knowledge on ship design and lead to successful products. NAP is committed to Engineering Excellence, Research, Development and Reliability.

32 Years of Excellence

1979-2011

Short Company Profile – NAP – www.nap.gr



Introduction

Premises & Resources

Our head offices are located in the center of the Piraeus Maritime Cluster. Our location allows us to have strong relationships with numerous Shipping Companies and Maritime Experts in the cluster.

Team of 12 Naval Architects, Marine - Structural Engineers and Draftsmen with considerable experience gained from various positions in the shipping and offshore industry, having backgrounds from key positions held at shipyards, engineering companies and classification societies.

Key Personnel:

General Manager - Technical Director: Kostas Zagkas

General Manager - Design Manager: George Pratikakis

Project Manager - Engineering & Development : Vassilios Zagkas

Services

Products and Services

NAP's expertise is ship design and marine engineering. Our company is well known for large scale conversion projects, structural engineering and new-building concept designs.

Our customers include large and small ferry operators in Greece and Europe as well as Cruise operators worldwide and other ship-owners, shipyards and maritime suppliers.

Our services briefly include:

- **Initial Design stage:** Concept Arrangements, Line Plan, Hull Optimization, Midship Section, Technical Specification, Feasibility Study
- **Basic Design stage:** Finalization of G.A, Approving & purchasing main equipments, Owner & Class approvals, Interior design work, Production planning, Calculations and Classification drawings.

Services

Products and Services

- System, outfitting and electrical design and engineering
- Structural Design and Engineering (FEM)
- Procurement handling , Technical Management Coordination
- Structural design rule calculations
- Damage Stability calculations
- Stockholm Agreement calculations
- Trim and Stability calculations, Marine Loading Software
- Tonnage measurements
- Resistance and speed calculations (CFD Optimization)
- Draught Survey Report – Inclining Experiment Test
- Safety analysis, manuals and drawings, Feasibility Studies
- Evacuation analysis, design / calculations
- Specifications and drawings for new buildings and conversions
- Supervision by experienced and junior supervisors
- Cargo Securing Analyses and Manuals
- Condition Surveys (Pre-purchase surveys)
- Ballast water management record book
- Shipboard oil pollution emergency plan, ISPS Code,
- Electrical design and engineering
- Air conditioning design / calculations
- Research & Development



NAP INNOVATION

Our company is dedicated in creative marine consulting and ship design innovation. Our range of services combined with our high quality standards produce state of the art client solutions.

Goals & Experience

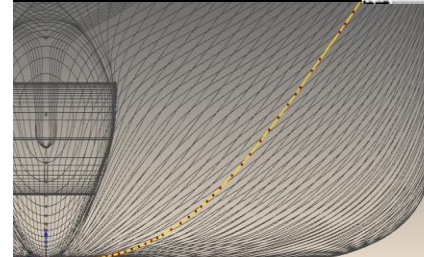
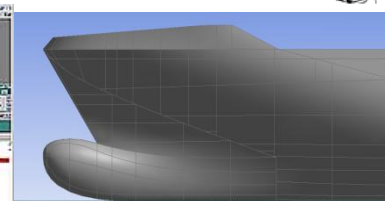
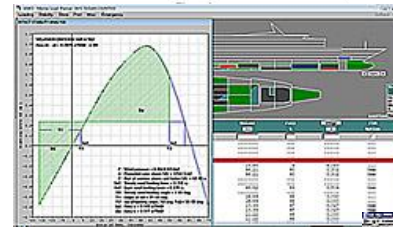
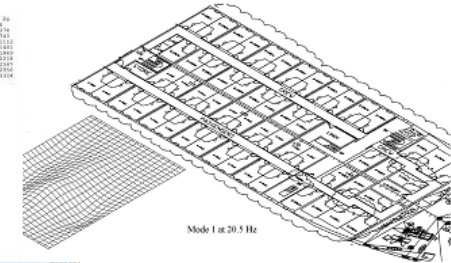
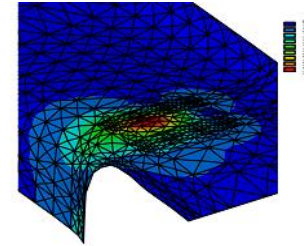
Goal

“Our vision is to be a partner for our clients. Our values and actions reflect a desire to remain attractive for our clients, partners and employees in the long-term perspective”.

Experience

NAP experience and competence ranges over of ship types:

- Cruise Ships
- Passenger Liners
- Fast Pax Ro-Ro Ferries
- Car / Passenger Catamarans
- Fast Cruise Ferries
- Open Pax Ferries
- Multipurpose Vessels – Bulk Carriers
- Product & Chemical Tankers
- Naval Training Ship
- Tug – AHT Support Vessels



Experience

New-building Projects



Major Conversions



Our company has been successfully involved in more than 22 new-building projects

Our archives have more than 400 ships!

32 Years of Excellence

1979-2011

Short Company Profile – NAP – www.nap.gr



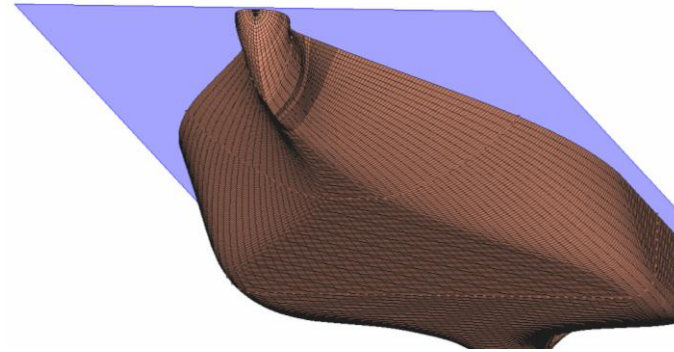
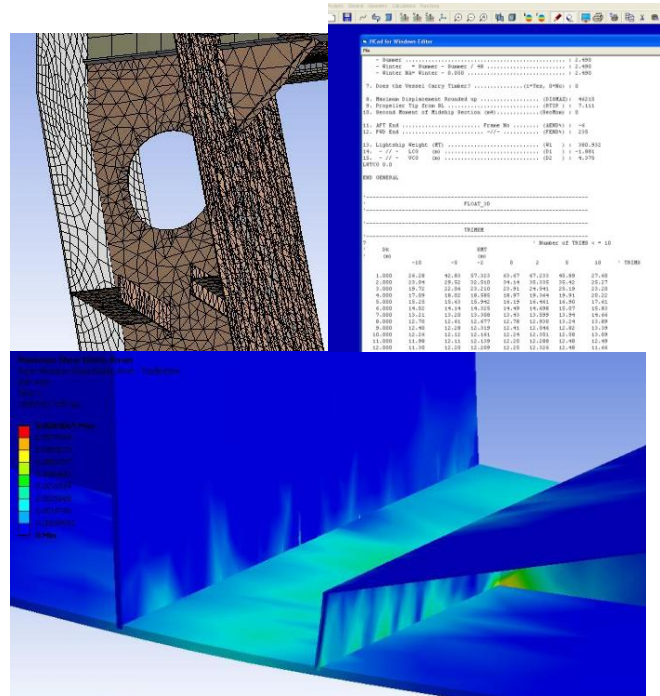
New Designs / Innovative Concepts



Goals & Developments underway

- Quality Certification for Marine Consulting Services
- New Generation Loading Software
- Energy Efficiency Management Software
- Agent Based Modeling for Maritime Applications
- Participating in collaborative R&D projects
- Partner search for joint development of new concepts
- Providing fully parametric products

Advanced Engineering



We are constantly investing in software resources.

A combination of commercial packages and in-house developed applications



SOFTWARE FOR

- Hull Form Development
- Intact Stability
- Damage Stability (all possible criteria)
- Resistance & Powering
- Preliminary Seakeeping
- Strength Calculations (FEM and Class Rules)
- Structural Design (2D & 3D)
- Vibration Calculations (External Experts)
- CFD Calculations (External Experts)

32 Years of Excellence

1979-2011

Short Company Profile – NAP – www.nap.gr





NAVAL ARCHITECTURE PROGRESS

THANK YOU!

